

Motor-end surge voltage suppression filter option for VF-AS1/PS1

Thank you for your purchase of the Motor-end surge voltage suppression filter option for the inverter “TOSVERT VF-AS1 / VF-PS1”.

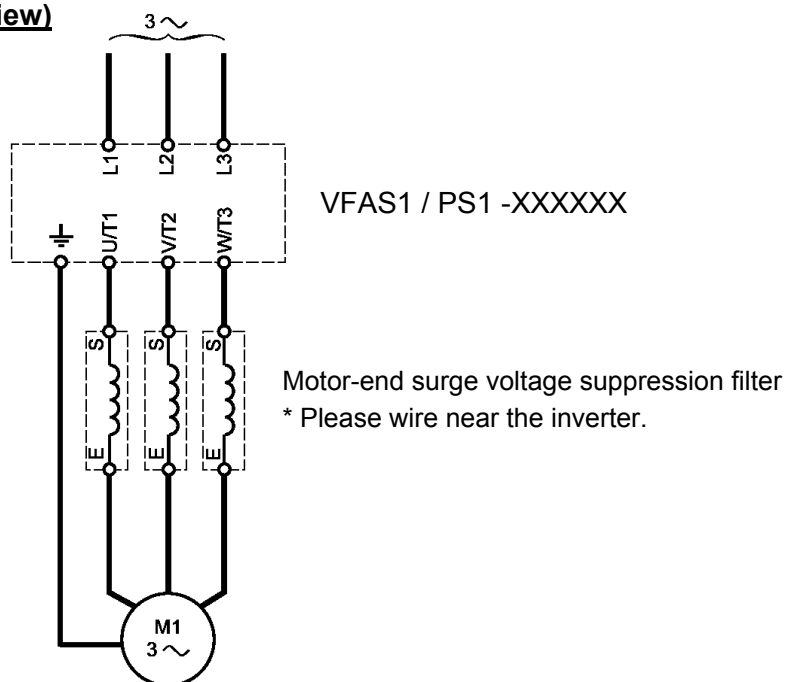
These filters are composed of three filters and used on each output line.
 Carrier frequency of inverter must be set to 2.5kHz (default setting).
 And maximum output frequency of inverter is 100Hz.

Applicable inverter drive

Motor-end surge voltage suppression filter type form	Inverter type form	
	VFAS1	VFPS1
MSL-4215T	VFAS1-4900PC	VFPS1-4900PC, 4110KPC
MSL-4314T	VFAS1-4110KPC, 4132KPC	VFPS1-4132KPC, 4160KPC
MSL-4481T	VFAS1-4160KPC – 4220KPC	VFPS1-4220KPC, 4250KPC
MSL-4759T	VFAS1-4280KPC, 4355KPC	VFPS1-4280KPC – 4400KPC
MSL-41188T	VFAS1-4400KPC, 4500KPC	VFPS1-4500KPC, 4630KPC

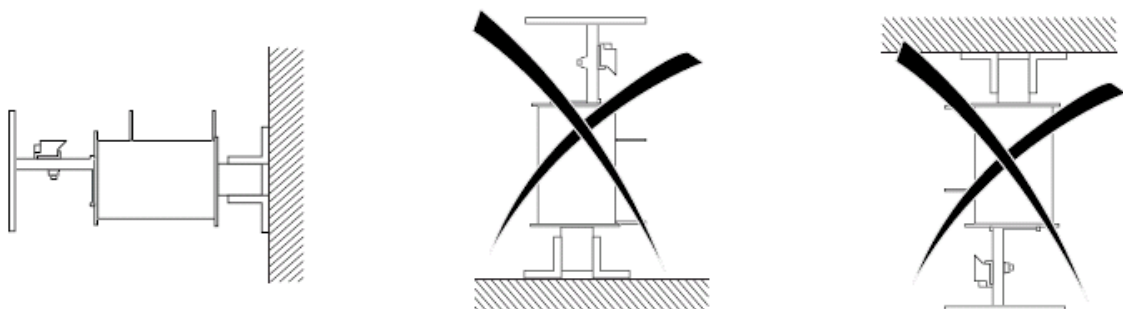
How to install (simple overview)

<How to connect>

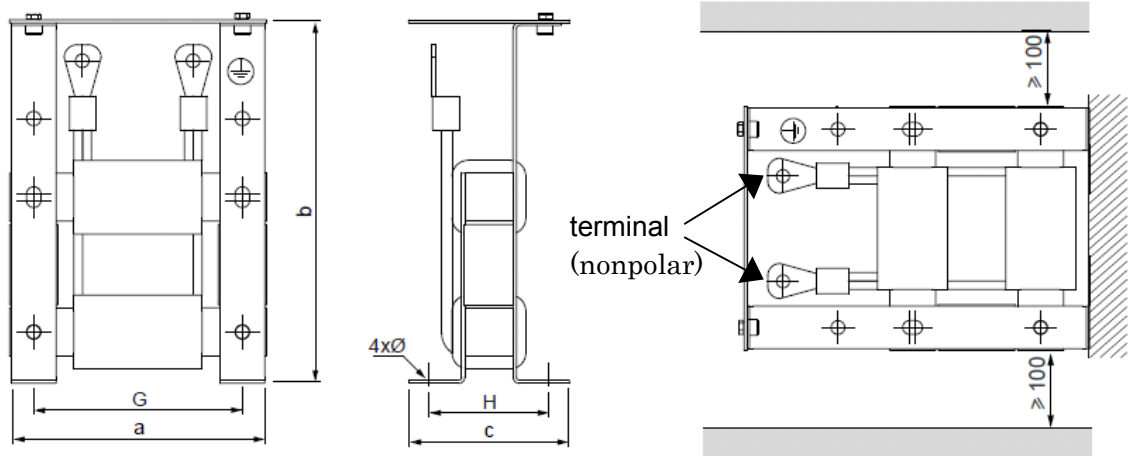


<How to install>

It is necessary to install this filter on the wall.

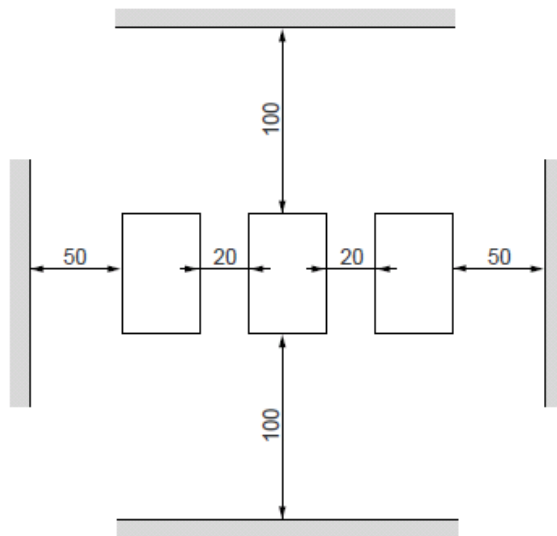


<Outline and area for installation : MSL-4215T, MSL-4314T >

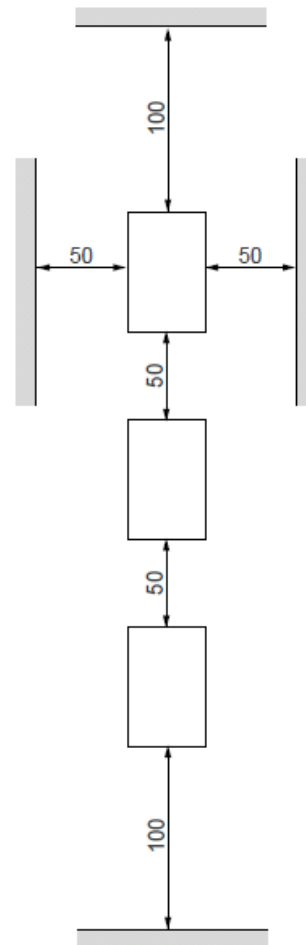


filter type form	a (mm)	b (mm)	c (mm)	G (mm)	H (mm)	(mm)	Approx. mass (kg)
MSL-4215T	170	235	100	140	75	9x20	5 x3
MSL-4314T	210	250	110	170	75	9x13	11 x3

<ex. 3 filters installed in horizontal >

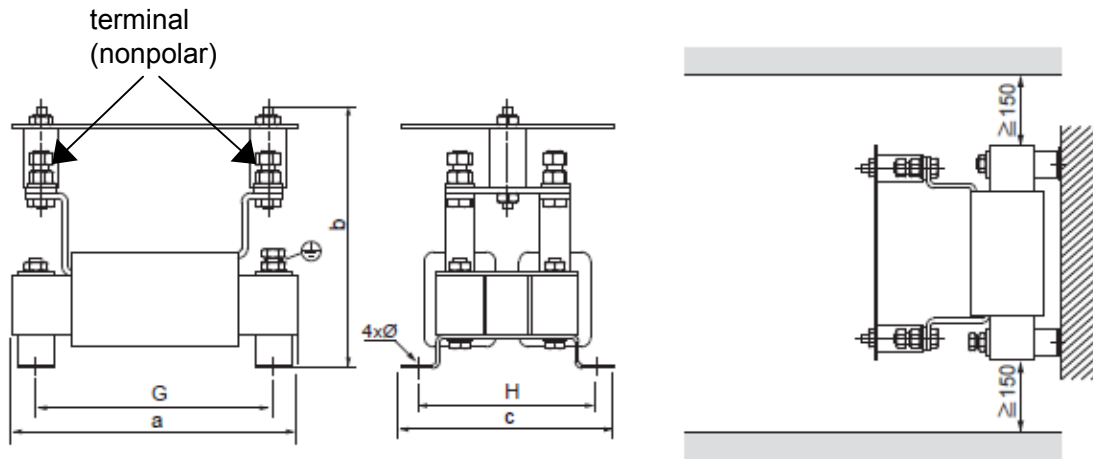


<ex. 3 filters installed in vertical >



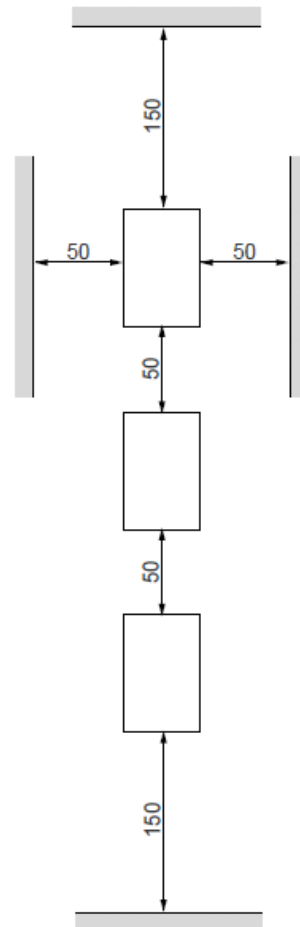
In both cases, direction of wiring is from the front.

<Outline and area for installation : MSL-4481T ~ MSL-41188T >

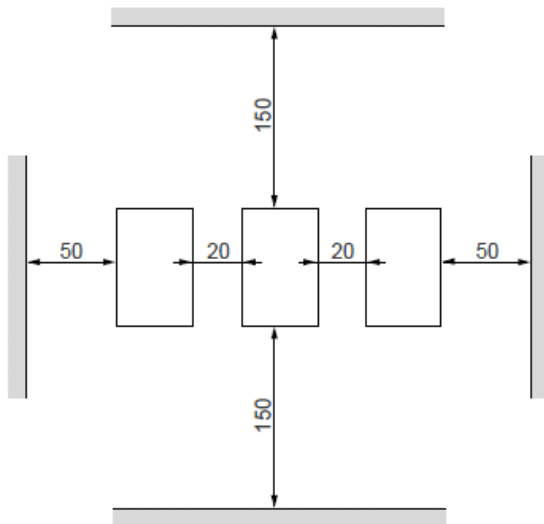


filter type form	a (mm)	b (mm)	c (mm)	G (mm)	H (mm)	(mm)	Approx. mass (kg)
MSL-4481T	245	250	200	225	175	9	19 x3
MSL-4759T	305	250	220	265	200	9	31 x3
MSL-41188T	364	250	230	325	200	9	41 x3

<ex. 3 filters installed in vertical >



<ex. 3 filters installed in horizontal >



In both cases, direction of wiring is from the front.