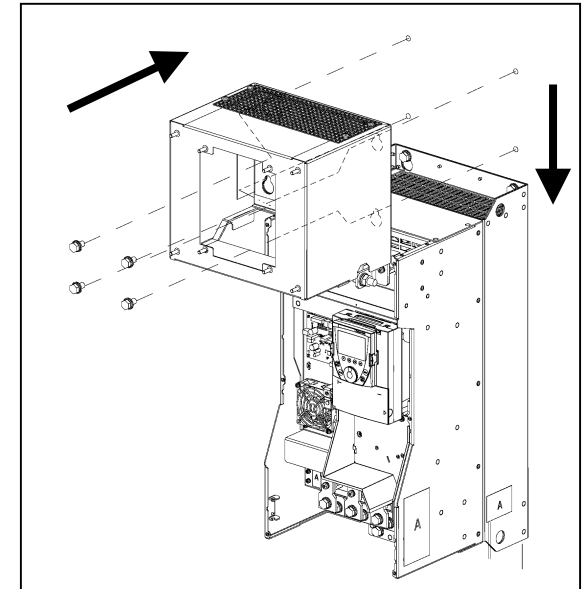
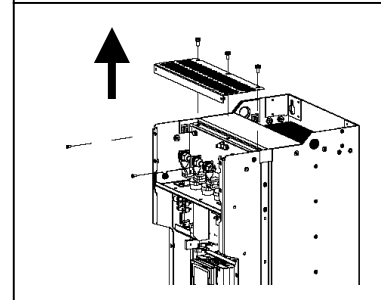
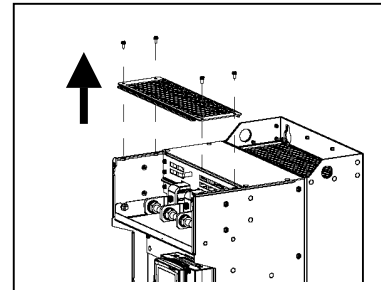
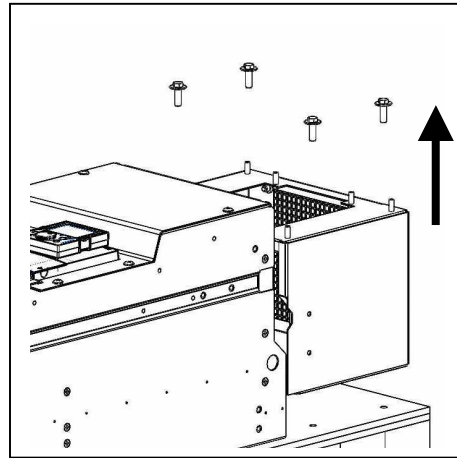
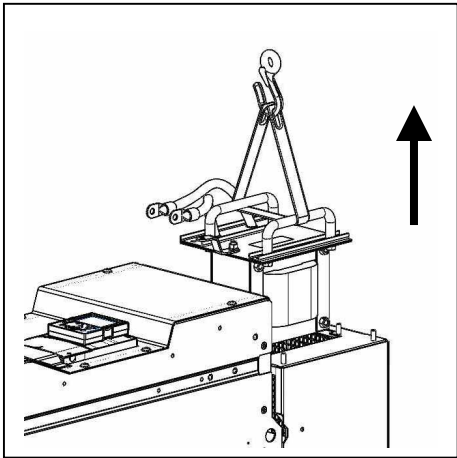
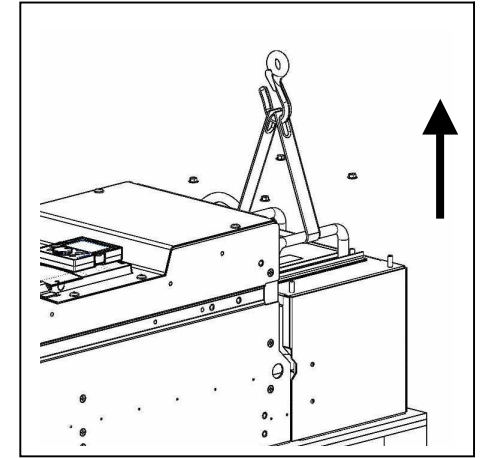
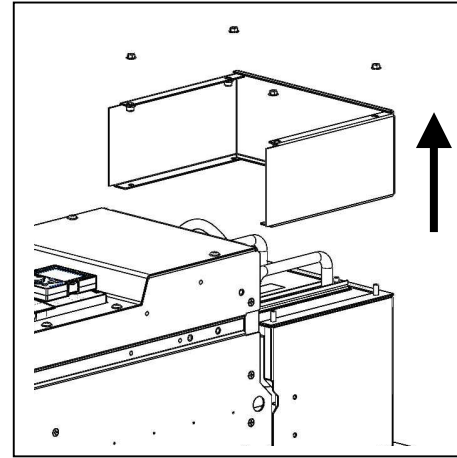
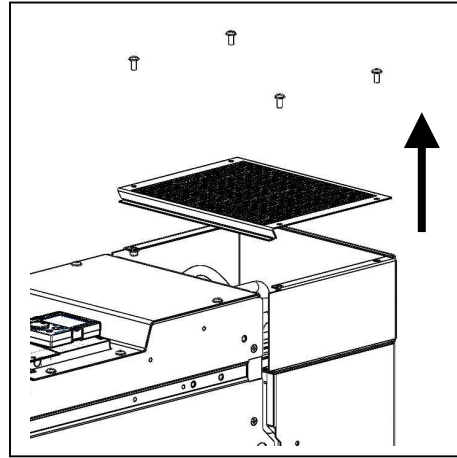
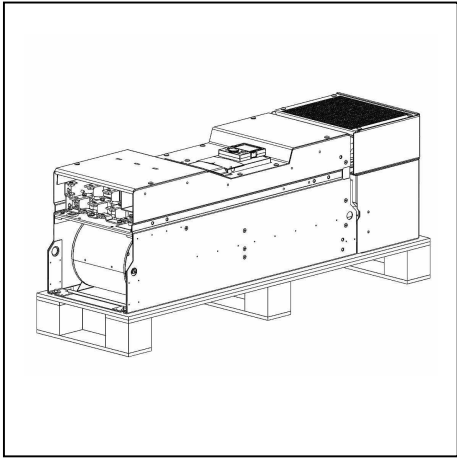


# DC choke kit installation sheet

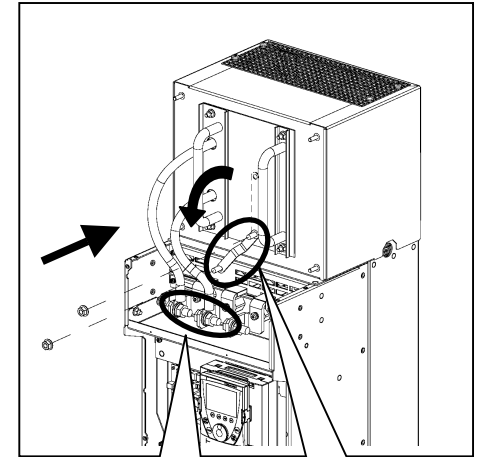
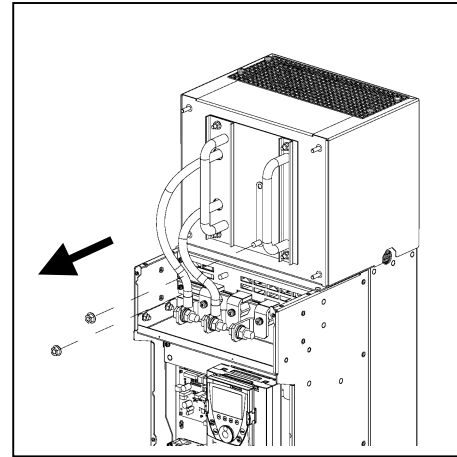
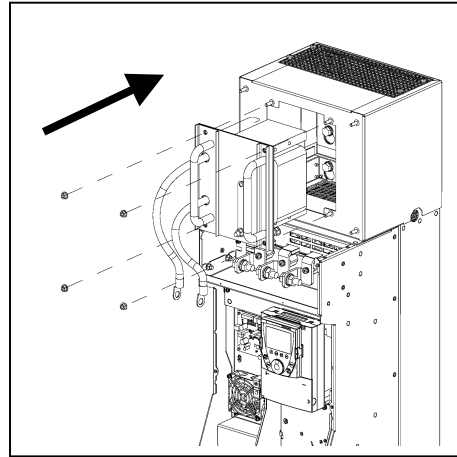
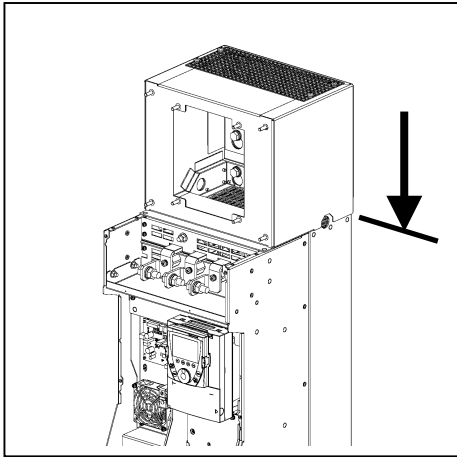
E6581346



\*E6581346REV03\*

# DC choke kit installation sheet

E6581346



M12:41Nm /  
360 lb.in

M8:12Nm /  
106 lb.in

